

LEVER ACTION HOLDERS



Lever Action Holder with Thermal Shutoff and Ball Valve (optional hand shield not shown)
ALL HOLDERS ARE SHIPPED WITH A RUBBER GROMMET INSTALLED

#1 LEVER ACTION HOLDER for .405" to .675" (1/8" to 3/8" pipe and tube sizes)			
PART #	DESCRIPTION		
.405" O.D. tube or 1/8" Pipe		HOLDER WITH SHIELD	
LA1405	#1 Lever Action Holder (no valve) w/ .405 Grommet	LA1405-S	with Hand Shield
PL1/8-6	LA 1 Rubber Grommet for 405" pipe		
LA1405F	#1 Lever Action Holder w/ 1/2" Thermal Shutoff	LA1405FS	with Hand Shield
LA1405FG	#1 Lever Action Holder w/ Ball Valve & Thermal Shutoff	LA1405FGS	with Hand Shield
LA1405FV	#1 Lever Action Holder w/ Lever Valve & Thermal Shutoff	LA1405FVS	with Hand Shield
.540" O.D. tube or 1/4" Pipe		HOLDER WITH SHIELD	
LA1540	#1 Lever Action Holder (no valve) w/ .540" Grommet	LA1540-S	with Hand Shield
PL 10-6	LA 1 Rubber Grommet for .540" (1/4" pipe)		
LA154F	#1 Lever Action Holder w/ 1/2" Thermal Shutoff	LA154F-S	with Hand Shield
LA1540FG	#1 Lever Action Holder w/ Ball Valve & Thermal Shutoff	LA1540FGS	with Hand Shield
LA1540FV	#1 Lever Action Holder w/ Lever Valve & Thermal Shutoff	LA1540FVS	with Hand Shield
# 2 LEVER ACTION HOLDER for .540" .625" and .675" O.D. pipe			
.540" O.D. tube or 1/4" Pipe w/ CGA "B" for 3/8" hose		HOLDER WITH SHIELD	
LA254	# 2 Lever Action Holder (no valve) w/ .540" Grommet	LA254-S	with Hand Shield
LA254I	LA 2 Rubber Grommet for .540" (1/4" pipe)		
LA254FG-B	# 2 LA Holder w/ Ball Valve & 1/2" Thermal Shutoff	LA254FGS-B	with Hand Shield
LA254FV-B	# 2 LA Holder w/ Lever Valve & 1/2" Thermal Shutoff	LA254FVS-B	with Hand Shield
.540" O.D. tube 1/4" Pipe with/ CGA "C" for 1/2" hose		HOLDER WITH SHIELD	
LA254FG-C	# 2 LA Holder w/ Ball Valve & 1/2" Thermal Shutoff	LA254FGS-C	with Hand Shield
LA254FV-C	# 2 LA Holder w/ Lever Valve & 1/2" Thermal Shutoff	LA254FVS-C	with Hand Shield
.675" and .625" O.D. tube w/ CGA "B" for 3/8" hose		HOLDER WITH SHIELD	
LA2675	# 2 Lever Action Holder (no valve)	LA2675-S	with Hand Shield
LA2675I	LA 2 Rubber Grommet for .625" and .675" O.D.		
LA267FG-B	# 2 LA Holder w/ Ball Valve & 1/2" Thermal Shutoff	LA267FGS-B	with Hand Shield
LA267FV-B	# 2 LA Holder w/ Lever Valve & 1/2" Thermal Shutoff	LA267FVS-B	with Hand Shield
.675" and .625" O.D. tube w/ CGA "C" for 1/2" hose		HOLDER WITH SHIELD	
LA267FG-C	# 2 LA Holder w/ Ball Valve & 1/2" Thermal Shutoff	LA267FGS-C	with Hand Shield
LA267FV-C	# 2 LA Holder w/ Lever Valve & 1/2" Thermal Shutoff	LA267FVS-C	with Hand Shield

For the LA 2 Holder the LA2675I Grommet fits both .625" and .675" diameter tube

FOR ALL HOLDERS FOR BURNING BARS AND LANCE PIPE LARGER THAN .540" AND LARGER OXYLANCE RECOMMENDS THAT 1/2" HOSE BE USED WHICH REQUIRES A CGA "C" FITTING

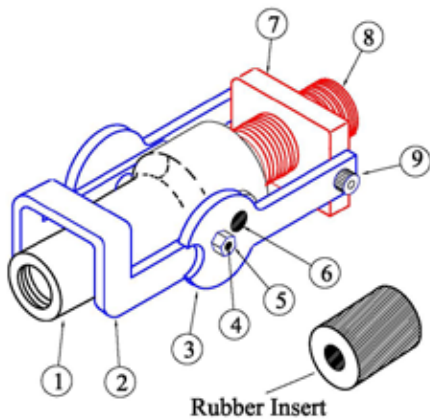
*LV Valve NOT RECOMMENDED FOR PRESSURES OVER 200 PSI



Lever Action Holder with Thermal Shutoff and Ball Valve (optional hand shield not shown)
ALL HOLDERS ARE SHIPPED WITH A RUBBER GROMMET INSTALLED

# 3 LEVER ACTION HOLDER for .840", .922" or 1.050" O.D. pipe			
PART #	DESCRIPTION		
.840" O.D. tube or 1/2" pipe		HOLDER WITH SHIELD	
LA384	# 3 Lever Action Holder (no valve)	LA384S	with Hand Shield
LA3840I	LA 3 Rubber Grommet for .840" O.D. tube or 1/2" pipe		
LA384F	# 3 LA Holder 3/4" NPT Thermal Shutoff (no valve)	LA384FS	with Hand Shield
LA384FG	# 3 LA Holder w/ Ball Valve & 3/4" Thermal Shutoff	LA384FGS	with Hand Shield
LA384FG-C	Same as LA384FG with CGA "C" Fitting	LA384FGS-C	with Hand Shield
.922" O.D. tube		HOLDER WITH SHIELD	
LA392	# 3 Lever Action Holder (no valve)	LA392S	with Hand Shield
LA3922I	LA 3 Rubber Grommet for .922" O.D. tube		
LA3922F	# 3 LA Holder 3/4" NPT Thermal Shutoff (no valve)	LA392FS	with Hand Shield
LA3922FG	# 3 LA Holder w/ Ball Valve & 3/4" Thermal Shutoff	LA392FGS	with Hand Shield
LA3922FG-C	Same as LA392FG with CGA "C" Fitting	LA392FGS-C	with Hand Shield
1.05" O.D. tube or 3/4" pipe		HOLDER WITH SHIELD	
LA3105	# 3 Lever Action Holder (no valve)	LA3105S	with Hand Shield
LA3105I	LA 3 Rubber Grommet for 1.05" O.D. tube or 3/4" pipe		
LA3105F	# 3 LA Holder 3/4" NPT Thermal Shutoff (no valve)	LA3105FS	with Hand Shield
LA3105FG	# 3 LA Holder w/ Ball Valve & 3/4" Thermal Shutoff	LA3105FGS	with Hand Shield
LA3105FG-C	Same as LA3105FG with CGA "C" Fitting	LA3105FGS-C	with Hand Shield
NO SHIELD AVAILABLE FOR LA4 OR LA5 HOLDERS			
# 4 LEVER ACTION HOLDER for 1.250" tube or 1.315" O.D. tube or 1" pipe			
LA41315	# 4 Lever Action Holder (no valve)		
LA41315I	LA 4 Rubber Grommet for 1.25" and 1.315" O.D. tube or 1" pipe		
LA41315F4	# 4 LA Holder w/ 1" Thermal Shutoff		
LA41315FB4	# 4 LA Holder w/ Ball Valve & 1" Thermal Shutoff		
LA41315F5	# 4 LA Holder w/ 1 1/4" Thermal Shutoff		
LA41315FB5	# 4 LA Holder w/ Ball Valve & 1 1/4" Thermal Shutoff		
1.315" Rubber Insert works for both 1.250 and 1.315 inch O.D.			
# 5 LEVER ACTION HOLDER for 1.66" O.D. tube or 1 1/4" pipe			
LA 5166	# 5 Lever Action Holder (no valve)		
LA5166I	LA 5 Rubber Grommet for 1.66" O.D. tube or 1 1/4" pipe		
LA5166F	# 5 LA Holder w/ 1 1/4" Thermal Shutoff		
LA5166FB	# 5 LA Holder w/ Ball Valve & 1 1/4" Thermal Shutoff		

LEVER ACTION REPAIR PARTS



- 1 Body
 - 2 Lever Handle
 - 3 Inner Link (2 each)
 - 4 Link Bolts (2 each)
 - 5 Link Bolt Nuts (2 each)
 - 6 Hinge Pins (2 each behind Inner Link)
 - 7 Barrel Nut
 - 8 Barrel
 - 9 Barrel Nut Bolts (2 each)
 - 10 Hand Shield (Photo on right)
- Note: Part # 6 On LA 4 & LA 5 is a hinge bolt.**
- 1- 10 i.d. numbers in drawing refers to last number in part numbers below



LA 1 PARTS	
PART #	DESCRIPTION
LAP1-1	# 1 LA Body
LAP1-2	# 1 LA Lever Handle
LAP1-3	# 1 LA Inner Link
LAP234-4	Link Bolt
LAP234-5	Link Bolt Nut
LAP234-6	Hinge Pin
LAP1-7	# 1 Barrel Nut
LAP1-8	# 1 Barrel
LAP234-9	Barrel Nut Bolt
LAP1-10	# 1 Hand Shield & Shield Nuts

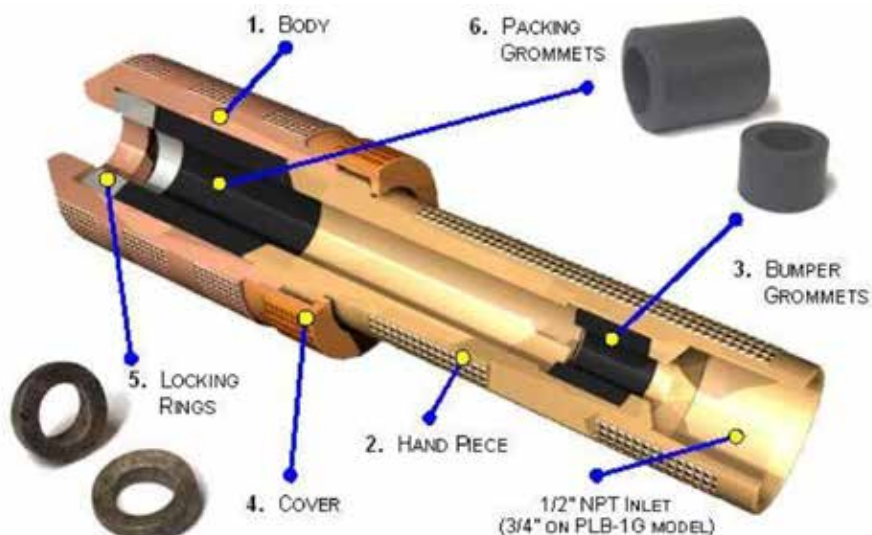
LA 2 PARTS	
PART #	DESCRIPTION
LAP2-1	# 2 LA Body
LAP23-2	# 2 LA Lever Handle
LAP23-3	# 2 LA Inner Link
LAP234-4	Link Bolt
LAP234-5	Link Bolt Nut
LAP234-6	2 Hinge Pin
LAP2-7	# 2 Barrel Nut
LAP2-8	# 2 Barrel
LAP234-9	Barrel Nut Bolt
LAP2-10	# 2 Hand Shield & Shield Nuts

LA 3 PARTS	
PART #	DESCRIPTION
LAP3-1	# 3 LA Body
LAP23-2	# 3 LA Lever Handle
LAP23-3	# 3 LA Inner Link
LAP234-4	Link Bolt
LAP234-5	Link Bolt Nut
LAP234-6	Hinge Pin
LAP3-7	# 3 Barrel Nut
LAP3-8	# 3 Barrel
LAP234-9	Barrel Nut Bolt
LAP3-10	# 3 Hand Shield & Shield Nuts

LA 4 PARTS	
PART #	DESCRIPTION
LAP4-1	# 4 LA Body
LAP4-2	# 4 LA Lever Handle
LAP4-3	# 4 LA Inner Link
LAP234-4	Link Bolt
LAP234-5	Link Bolt Nut
LAP4-6	4 Hinge Pin
LAP4-7	# 4 Barrel Nut
LAP4-8	# 4 Barrel
LAP234-9	Barrel Nut Bolt

LA 5 PARTS	
PART #	DESCRIPTION
LAP5-1	# 3 LA Body
LAP5-2	# 3 LA Lever Handle
LAP5-3	# 3 LA Inner Link
LAP5-4	Link Bolt
LAP5-5	Link Bolt Nut
LAP5-6	Hinge Pin
LAP5-7	# 3 Barrel Nut
LAP5-8	# 3 Barrel
LAP5-9	Barrel Nut Bolt

LA RUBBER GROMMETS	
PART #	DESCRIPTION
PL 1/8-6	LA 1 Grommet for .405 O.D.
PL 10-6	LA 1 Grommet for .540 O.D.
LA2540I	LA 2 Grommet for .540 O.D.
LA2675I	LA 2 Grommet for .675 O.D.
LA3840I	LA 3 Grommet for .840 O.D.
LA3922I	LA 3 Grommet for .922 O.D.
LA3105I	LA 3 Grommet for 1.05 O.D.
LA41315I	LA 4 Grommet for 1.315 O.D.
LA5166I	LA 5 Grommet for 1.66 O.D.



1/8" Pipe (.405" O.D.)	
PART #	DESCRIPTION
PL1/8	PL Holder for 1/8" Pipe
PL1/8FG	PL 1/8 with Thermal Shutoff & Ball Valve
PL1/8FV	PL 1/8 with Thermal Shutoff & Lever Valve
PL1/8-1	PL 1/8 Body
PL1/8-2	PL 1/8 Hand Piece
PL1/8-3	PL 1/8 Bumper Grommet
PL1/8-4	PL 1/8 Cover
PL1/8-5	PL 1/8 Locking Ring
PL1/8-6	PL 1/8 Packing Grommet

3/8" Pipe (.675" O.D.)	
PART #	DESCRIPTION
PL11	PL Holder for 3/8" Pipe
PL11FG	PL 11 with Thermal Shutoff & Ball Valve
PL11FV	PL 11 with Thermal Shutoff & Lever Valve
PL11-1	PL 11 Body
PL11-2	PL 11 Hand Piece
PL11-3	PL 11 Bumper Grommet
PL11-4	PL 11 Cover
PL11-5	PL 11 Locking Ring
PL11-6	PL 11 Packing Grommet

1/4" Pipe (.540" O.D.)	
PART #	DESCRIPTION
PL10	PL Holder for 1/4" Pipe
PL10FG	PL 10 with Thermal Shutoff & Ball Valve
PL10FV	PL 10 with Thermal Shutoff & Lever Valve
PL10-1	PL 10 Body
PL10-2	PL 10 Hand Piece
PL10-3	PL 10 Bumper Grommet
PL10-4	PL 10 Cover
PL10-5	PL 10 Locking Ring
PL10-6	PL 10 Packing Grommet

1/2" Pipe (.840" O.D.)	
PART #	DESCRIPTION
PL12	PL Holder for 1/2" Pipe
PL12FG	PL 12 with Thermal Shutoff & Ball Valve
PL12FV	PL 12 with Thermal Shutoff & Lever Valve
PL12-1	PL 12 Body
PL12-2	PL 12 Hand Piece
PL12-3	PL 12 Bumper Grommet
PL12-4	PL 12 Cover
PL12-5	PL 12 Locking Ring
PL12-6	PL 12 Packing Grommet

5/8" Tube (.625" O.D.)	
PART #	DESCRIPTION
PL5/8	PL Holder for 5/8" O.D. Tube
PL5/8FG	PL 5/8 with Thermal Shutoff & Ball Valve
PL5/8FV	PL 5/8 with Thermal Shutoff & Lever Valve
PL11-1	PL 11 Body
PL11-2	PL 11 Hand Piece
PL11-3	PL 11 Bumper Grommet
PL11-4	PL 11 Cover
PL5/8-5	PL 5/8 Locking Ring
PL5/8-6	PL 5/8 Packing Grommet

THERMAL SHUTOFFS (ANTI SLAG DEVICE)



	Cut Away L to R	1/2"	3/4"	1"
PART #	DESCRIPTION			
OXY0002	1/2" Male NPT Thermal Shutoff (Anti Slag Device)			
OXY0003	3/4" Male NPT Thermal Shutoff (Anti Slag Device)			
OXY0004	1" Male NPT Thermal Shutoff (Anti Slag Device)			

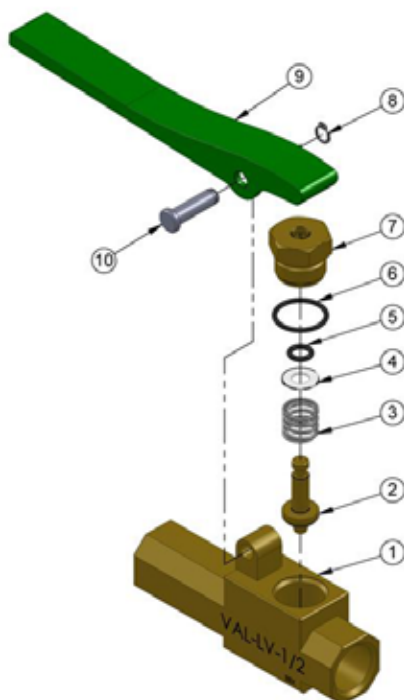
The Oxylance anti-slag safety device performs **three (3) important safety functions** which help protect the user and the equipment. These functions are as follows:

- 1. HIGH GAS VOLUME NON-RETURN VALVE:** The high gas volume non-return valve prevents the reverse flow of oxygen into the hose.
- 2. THERMAL SHUTOFF DEVICE:** The thermal shutoff activates cutting off the oxygen flow instantly extinguishing the burning bar / oxygen lance pipe if the bar / pipe burns back into the holder, if slag enters the holder, and / or heating of the holder to the point of injuring the operator (i.e., 3 to 5 second internal heating to 160 C +/- 5 degrees).
- 3. ANTI-SLAG & BACKFIRE BARRIER:** The combination anti-slag anti-back fire element provides several safety functions. The barrier prevents molten slag and backfires from igniting the oxygen hose. In addition, the barrier helps activate the thermal shut off stopping the flow of oxygen and extinguishing the fire.



BALL VALVE

REPAIR PARTS	
PART #	DESCRIPTION
VAL-OXY-1/2	1/2" Oxylance Ball Valve
VAL-OXY-3/4	3/4" Oxylance Ball Valve



LEVER VALVE

ITEM	DESCRIPTION
1	1/2" NPT VALVE BODY
2	VALVE STEM
3	VALVE SPRING
4	TEFLON WASHER
5	VALVE STEM O-RING
6	RETAINING NUT O-RING
7	RETAINING NUT
8	LEVER PIN RETAINING CLIP
9	HANDLE
10	LEVER PIN

PART #	DESCRIPTION
VAL-V25	1/4" Lever Valve
VAL-V25-LK	Replacement Lever and Pin #9 Lever #8 Lever Pin Retaining Clip #10 Lever Pin
VAL-V25-VRK	Repair Kit #2 Stem, #3 Spring, #4 Washer, #5 Stem O-Ring #6 Retaining O-Ring #7 Nut
VAL-LV-1/2	Lever Valve 1/2" npt Port In and Out
VAL-LV-1/2-B	Lever Valve w / CGA "B" Fitting in the In Port
VAL-V-LV-1/2-C	Lever Valve w / CGA "C" Fitting in the In Port
VAL LV-LK	Replacement Lever and Pin #9 Lever #8 Lever Pin Retaining Clip #10 Lever Pin
VAL-LV-VRK	Repair Kit #2 Stem, #3 Spring, #4 Washer, #5 Stem O-Ring #6 Retaining O-Ring #7 Nut

**** CAUTION ****

LEVER VALVE RECOMMENDED FOR MAXIMUM PRESSURE OF 200 PSI



3/8", 1/2", 3/4"	
PART #	DESCRIPTION
HL1/2X50C	Lance Hose 1/2" id X 50 feet long with CGA "C" fittings
HL1/2X75C	Lance Hose 1/2" id X 75 feet long with CGA "C" fittings
HL1/2X100C	Lance Hose 1/2" id X 100 feet long with CGA "C" fittings
HL1/2X150C	Lance Hose 1/2" id X 150 feet long with CGA "C" fittings
HL3/4X50D	Lance Hose 3/4" id X 50 feet long with CGA "D" fittings
HL3/4X100D	Lance Hose 3/4" id X 100 feet long with CGA "D" fittings
HL3/4X125D	Lance Hose 3/4" id X 125 feet long with CGA "D" fittings

Oxylance Inc. recommends minimum of 1/2" hose for all burning bar applications.

IF 3/8" HOSE IS USED IT MUST BE A SINGLE RUN OF HOSE WITH NO SPLICES OR CONNECTORS THAT WILL RESTRICT THE OXYGEN FLOW. REPAIRING 3/8" HOSE OR JOINING 2 SECTIONS TOGETHER WILL REDUCE THE FLOW TOO MUCH

FOR THE BURNING BAR TO OPERATE PROPERLY.

WE WILL NOT BE RESPONSIBLE FOR BURNING BAR PERFORMANCE IF USED WITH 3/8" HOSE.

PART #	DESCRIPTION
HL3/8X25B	Lance Hose 3/8" id X 25 feet long with CGA "B" fittings
HL3/8X50B	Lance Hose 3/8" id X 50 feet long with CGA "B" fittings
HL3/8X75B	Lance Hose 3/8" id X 75 feet long with CGA "B" fittings
HL3/8X100B	Lance Hose 3/8" id X 100 feet long with CGA "B" fittings
HL3/8X50C	Lance Hose 3/8" id X 50 feet long with CGA "C" fittings
HL3/8X75C	Lance Hose 3/8" id X 75 feet long with CGA "C" fittings
HL3/8X100C	Lance Hose 3/8" id X 100 feet long with CGA "C" fittings

CALL FOR PART NUMBERS FOR 500 PSI LANCING OR SCARFING HOSE. THESE HOSES ARE SPECIAL ORDER AND ARE AVAILABLE IN 50 AND 100 FOOT LENGTHS ONLY.

AVAILABLE IN 1/2", 3/4", 1", 1-1/4" AND 1-1/2" i.d.

FITTINGS

OXYLANCE STOCKS ALL OF THE REPLACEMENT FITTINGS FOR OUR HOLDERS AND OXYGEN HOSE. ALL FITTINGS NOT SPECIFIED AS STEEL ARE HIGH PRESSURE BRASS. ALL FITTINGS ARE CLEANED FOR OXYGEN SERVICE.

PART #	DESCRIPTION
ANTI SLAG DEVICES	
OXY0002	1/2" Male npt Thermal Shutoff
OXY0003	3/4" Male npt Thermal Shutoff
OXY0004	1" Male npt Thermal Shutoff
FTHW-32	1/4" npt X CGA "B" Fitting
FTHW-142	3/8" npt X CGA "B" Fitting
FTHW-144	1/2" npt X CGA "B" Fitting
FTHW-C-34	1/4" npt X CGA "C" Fitting
FTHW-C-40	3/8" npt X CGA "C" Fitting
FTHW-C-32	1/2" npt X CGA "C" Fitting
FTHW-C-7	CGA "C" Nut
FTHW-C-17	CGA "C" Hose Barb
FTHW-D-34	1/2" npt X CGA "D" Fitting
FTHW-D-32	3/4" npt X CGA "D" Fitting
FTHW-D-7	CGA "D" Nut
FTHW-D-18	CGA "D" Hose Barb
FTHW-30	"B" to "B" Hose Coupler
FTHW-C-30	"C" to "C" Hose Coupler
FTHW-D-30	"D" to "D" Hose Coupler
BRASS PIPE NIPPLES	
FTW-WHF-3-3	1/2" X 4" npt Pipe Nipple
FTNBW-B-6HP	3/8" npt Close Nipple
FTNBW-B-8HP	1/2" npt Hex Close Nipple
FTNBW-B-9HP	3/4" npt Close Nipple
BRASS FEMALE X MALE PIPE	
FTW-BA-8-4HP	1/2" FM npt X 1/4" Male npt
FTW-BA-8-6HP	1/2" FM npt X 3/8" Male npt
BRASS MALE X FEMALE REDUCER	
FTW-BB-4-8HP	1/2" Male npt X 1/4" Female npt
FTW-BB-6-8HP	1/2" Male npt X 3/8" Female npt
FTW-BB-8-12HP	3/4" Male npt X 1/2" Female npt
BRASS MALE X MALE REDUCER	
FTRMW-B-8-4HP	1/2" M npt X 1/4" M npt Reducer
BRASS FEMALE REDUCER	
FTW-BF-12-8HP	3/4" FM npt X 1/2" FM npt Reducer
BRASS HP PIPE COUPLING	
FTW-BF-4HP	1/4" npt Pipe Collar
FTW-BF-6HP	3/8" npt Pipe Collar
FTW-BF-8HP	1/2" npt Pipe Collar
FTW-BF-12HP	3/4" npt Pipe Collar

LEAK TEST SOLUTION

Oxylance Leak Test Solution is perfect for use with all gas Connections. Using soap and water for leak testing is not only dangerous, but the residue it leaves on fittings can also corrode or damage valve seats. Oxylance Leak Test Solution leaves no residue, meets MIL Spec PRF-25567E, ASME and CGA requirements.

Features & Benefits (8oz. Bottle with 12" extension tube)

- The tube in a bottle design allows users to test for leaks in all positions
- Welders and compressed gas users can detect leaks more effectively in hard to reach areas.

**MADE
IN THE USA**



Use with
tube

